

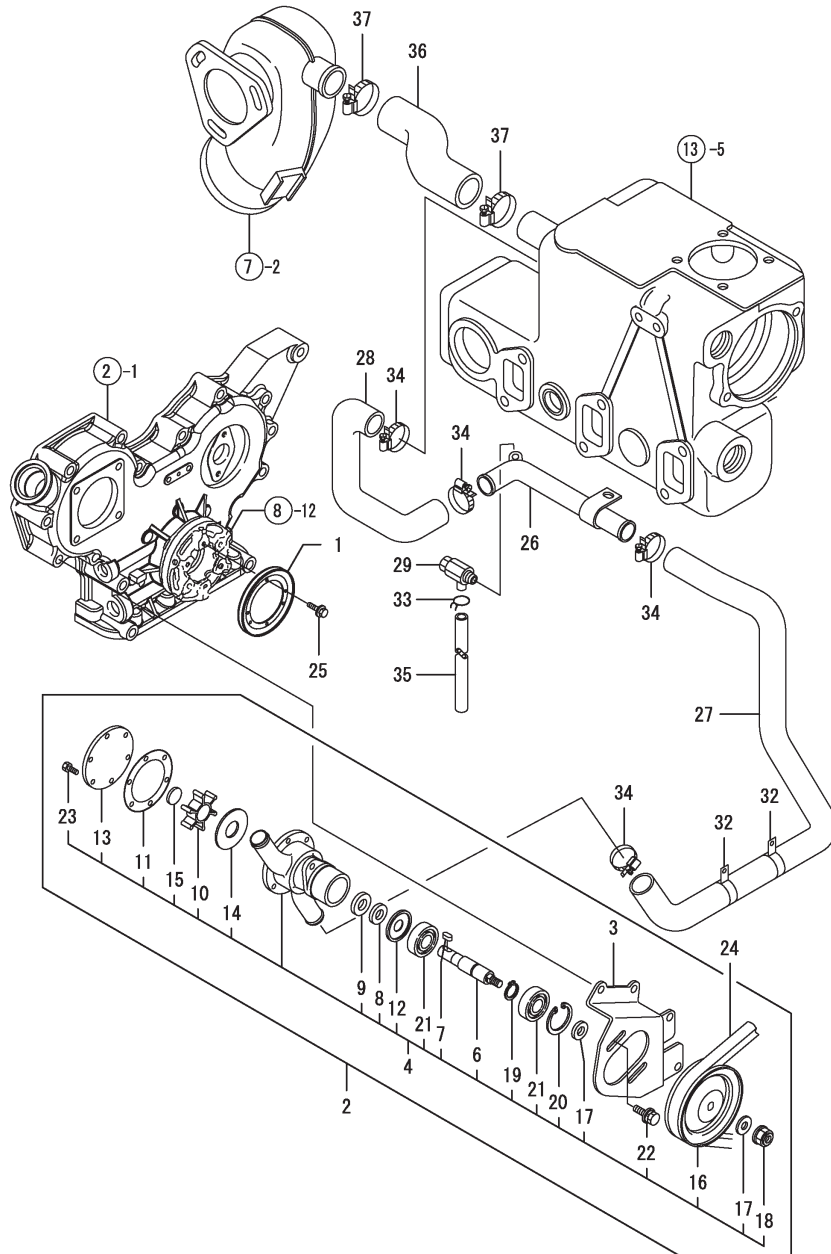
Fig.12. COOLING SEA WATER SYSTEM

Yanmar 129579-42502

Engine Cooling Pump

(A)=3TNV84T-BGMG
(B)=
(C)=

(D)=
(E)=
(F)=



No.	Lev.	Parts No.	Description	Q'ty						I	R
				(A)	(B)	(C)	(D)	(E)	(F)		
1	1	104407-21600	V-PULLEY	1							
2	1	129647-42500	PUMP ASSY, WATER	1							
2-1	1	129283-42500	PUMP ASSY, WATER	1							R
(A=FROM 1ST)											
3	2	129647-42150	BRACKET, PUMP	1							
3-1	2	129283-42150	BRACKET, PUMP	1							R
(A=FROM 1ST)											
4	2	129579-42502	PUMP ASSY, WATER	1							
6	3	121575-42021	SHAFT, IMPELLER	1							
7	3	124223-42040	KEY	1							
8	3	124223-42070	PIECE	1							
9	3	124223-42080	SEAL, TC13X28X7	1							
10	3	124223-42092	IMPELLER	1							
11	3	124223-42110	GASKET, WATER PUMP	1							
12	3	121575-42120	COVER, BEARING	1							
13	3	121575-42150	COVER	1							
14	3	129579-42160	PLATE	1							
15	3	129579-42190	COVER	1							
16	3	124070-42400	V-PULLEY	1							
17	3	124070-42420	WASHER	2							
18	3	129579-42590	NUT, M8	1							
19	3	22242-000150	RING, 15	1							
20	3	22252-000350	RING, 35	1							
21	3	24107-062024	BEARING, BALL 6202ZZ	2							
22	3	26014-080162	BOLT, M8X 16	2							
23	3	26113-040088	BOLT, M4X 8	6							
24	1	104214-42780	V-BELT, HM30	1							
25	1	26106-060082	BOLT, M6X 8 PLATED	4							
26	1	129080-49010	PIPE, WATER	1							
27	1	171487-49010	PIPE, WATER	1							
28	1	129475-49020	PIPE, WATER	1							
29	1	129670-49290	COCK ASSY, R1/8	1							
32	1	129579-49460	RETAINER, D32	2							
33	1	124460-77680	RETAINER	1							
34	1	23000-035000	CLAMP, 35	4							
35	1	23061-070300	PIPE, 7X 300	1							
36	1	129472-49040	PIPE, WATER	1							
37	1	23000-035000	CLAMP, 35	2							